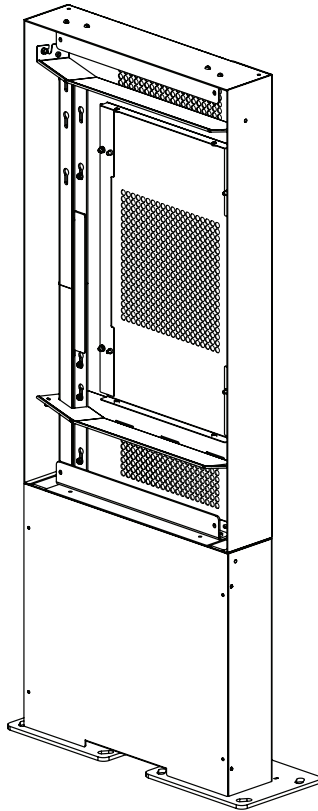


Installation Guide

SPDS3001

Outdoor enclosure - Single





CAUTION

- Be sure to read & understand the entire installation guide, before starting the installation
- This product must be installed by a professional installer. More than one person needs to be involved in the installation of this product.
- This product is designed to be mounted on a flat concrete surface. Before installation please verify that the supporting surface can bear the combined weight of the solution and hardware.
- Do not to overtighten the fixings.
- Do not scratch the surface of the enclosure during installation, as it can lead to corrosion over time.
- The maximum weight limit for hardware (screen, accessories etc.) for this solution is 55 kg. Do not exceed the stated weight limit.
- It is the responsibility of the installer to use the appropriate chemical anchors for the specific installation location. Please follow the fixing suppliers recommendations for installation. The anchors should as a minimum be thread size M14 with steel grade 8.8 or better (min. yield strength of 76.4kN).
- This product is intended for outdoor use. Installation is not recommended to take place in rough weather conditions (Strong wind, heavy rain or snow).
- This solution is purely designed for outdoor certified hardware and accessories. Always follow the installation guide from the hardware manufacturer for correct installation.
- The enclosure includes air ventilation holes on the rear of the unit. These need to remain open at all times to ensure correct operations of the screen.
- Please don't power the hardware, until the entire solution is fully assembled.
- If these installation instructions are not followed precisely, it could lead to product failure and potential personal injury.
- Ergonomic Solutions cannot be held responsible for any failure or injury, if the installation instructions are not followed correctly.
- Ergonomic Solutions cannot be held responsible for any failure or injury, if any modifications have been made to the product by the customer.

Maintenance

- Any scratches to the surface of the product should be repaired immediately to avoid any corrosion.
- It is the responsibility of the customer to periodically check the installation and ensure it is clean, all air ventilation holes are free and all fixings are tightened correctly.
- Do not use pressure hoses or high-pressure water jets, garden hoses and sprinklers directly on the enclosure.

Cleaning guides are as follows:

General

If the effect of the particular cleaning agent is not known, a preliminary check must be carried out. If the following instructions do not prove successful, the further course of action is to be coordinated with Ergonomic Solutions.

Suitable products

1. Neutral aqueous cleaning agents and neutral synthetic detergents or wetting agents are suitable for removing loosely-adhering dirt from coated surfaces.
2. Mildly acidic, aqueous cleaning agents may be used to remove soiling caused by building work (grout and lime spattering); e.g. table vinegar, diluted 1:1 with water; undiluted for stubborn stains.
3. It is possible to remove very greasy films with organic solvents, e.g. ethanol, although these should only be allowed to work for a short time. Rubbing can cause the coating to become dull.
4. Mildly alkaline, aqueous cleaning agents are suitable for cleaning purposes, provided that the corresponding directions for use are observed. The cleaning agents must furthermore conform to the requirements of the regulation governing substances harmful to the environment (substances regulation) of 9 June 1986, appendix 4.2.

Important: The surfaces to be cleaned are to be cleaned as gently as possible and thoroughly rinsed off with water afterwards, since residue from salts, acids and alkalis can lead to corrosion.

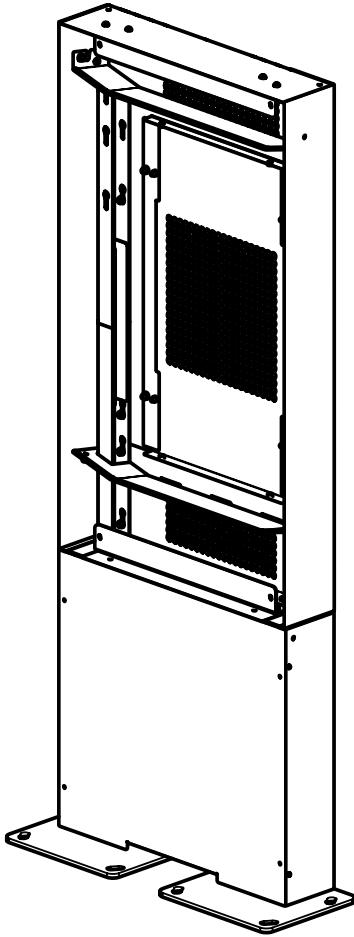
Never use abrasive cleaning agents!

Unsuitable products

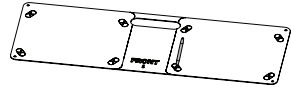
1. Highly acidic, aqueous cleaning agents: When using acetic acid, oxalic acid, phosphoric acid, concentrations exceeding 0.5 per cent are not permitted. Other acids, such as hydrochloric acid, sulphuric acid, etc., are not suitable in any concentration.
2. Highly alkaline, aqueous cleaning agents: All products of this type are prohibited from use as cleaning agents for coatings.
3. Solvent-based cleaning agents such as ester, ketone (e.g. acetone), glycol ether, benzene, thinners (e.g. NC thinners), stain removers and chlorinated hydrocarbons are unsuitable.

These recommendations correspond to the current general state of knowledge and do not infer any legal obligations. If in doubt, and in special cases, a preliminary test must always be carried out.

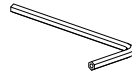
Box content



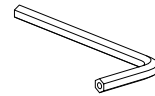
1x SPDS3001 (A)



1x Template (B)



1x Security allen key 2.5mm



1x Security allen key 5mm

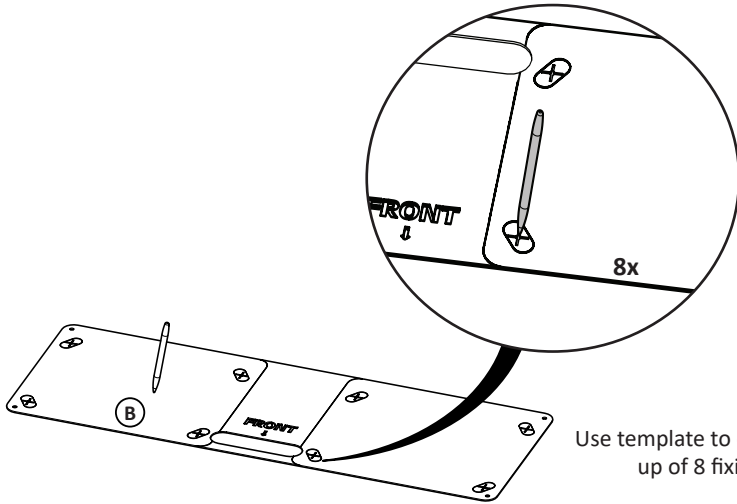
Tool list



SPIRIT LEVEL



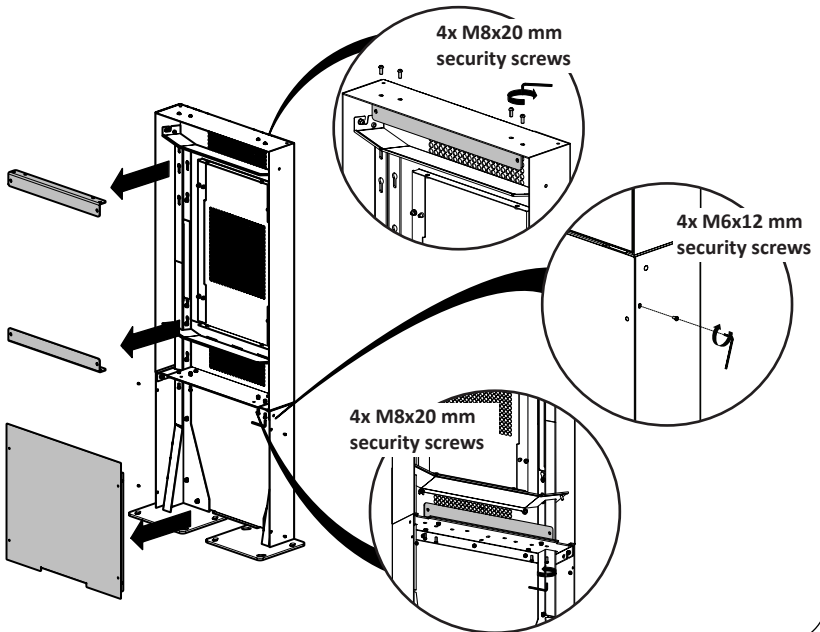
1 Position template & mark-up fixing holes



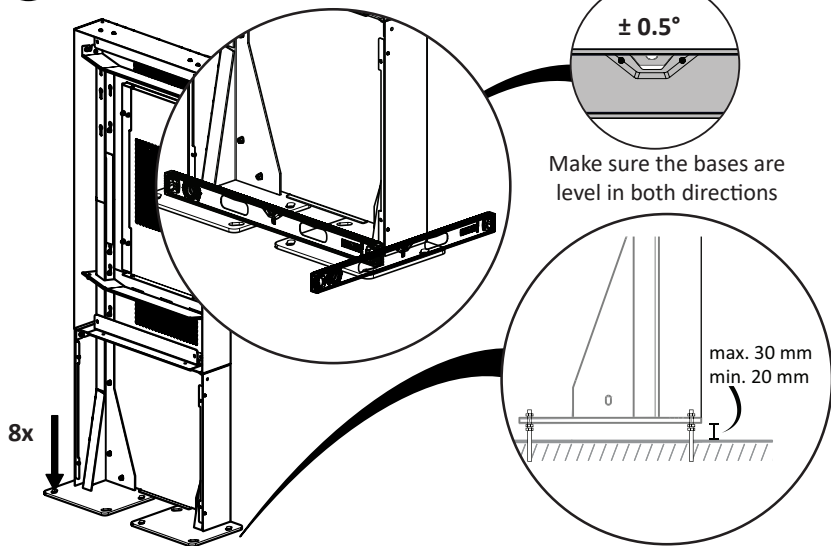
Use template to correctly mark-up of 8 fixing holes

Template has an arrow that shows screen orientation after finished installation

2 Remove front and screen brackets



3 Fix posts to solid ground

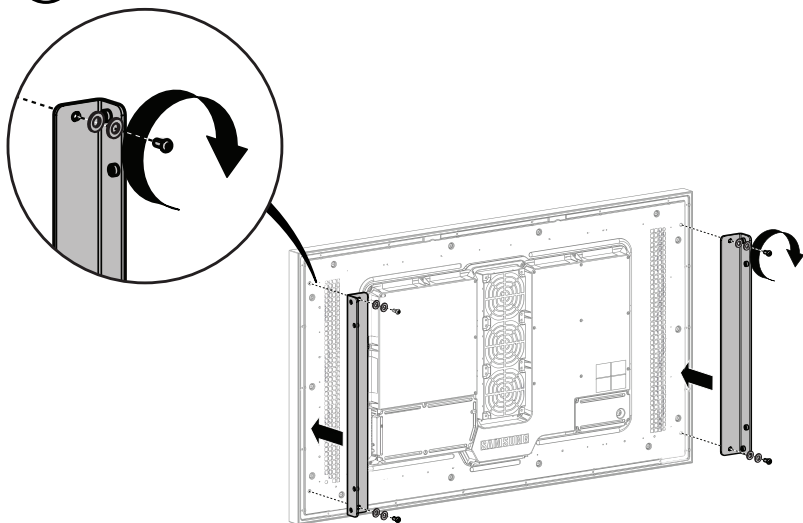


Fix posts use 8x bolts/screws

⚠ Make sure both bases are minimum 20mm and maximum 30mm above ground

⚠ No ground fixings supplied with SPDS3001

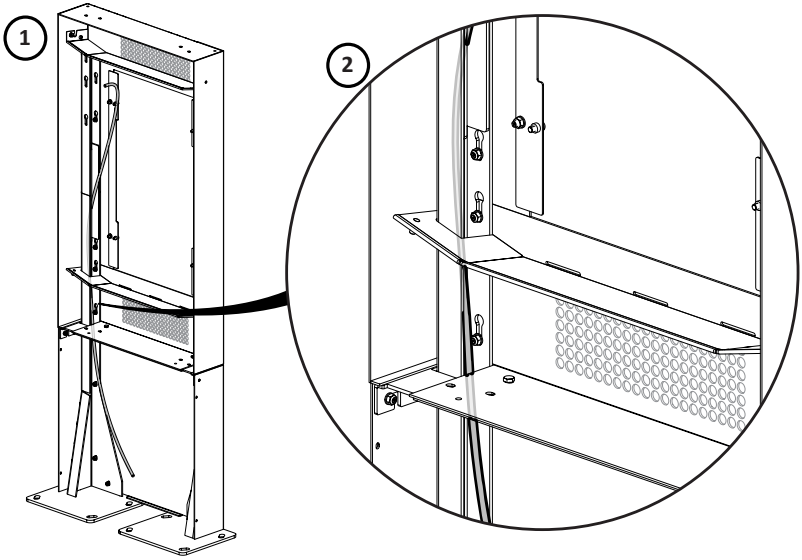
4 Install screen mounting brackets



4x M8x20 mm security screws & 8x M8 washers
Tighten according to hardware specification

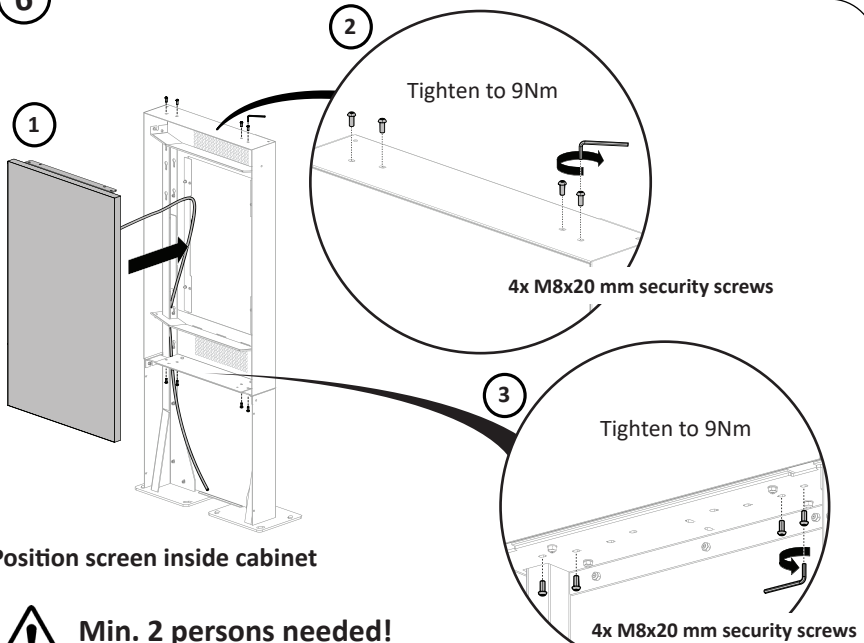
Install 2x angled mounting bracket to screen

5 Route cables from hardware



Cables are routed through the posts and down towards the base

6 Install hardware



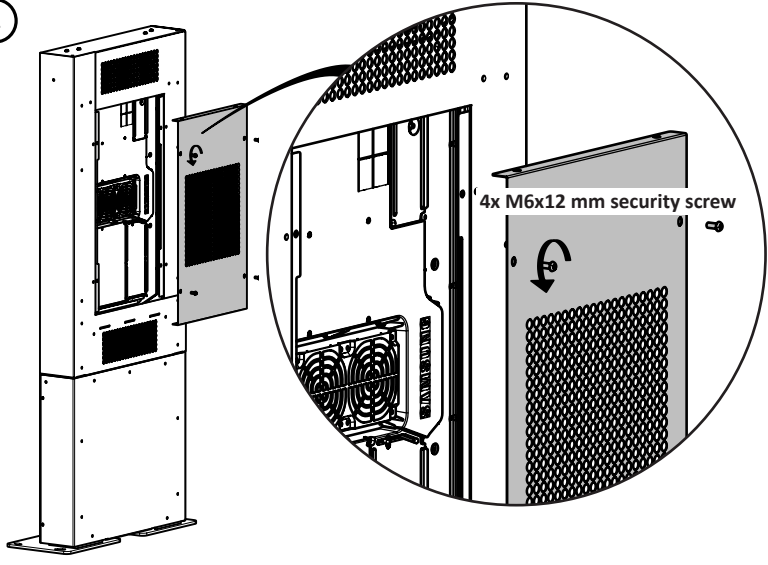
Position screen inside cabinet



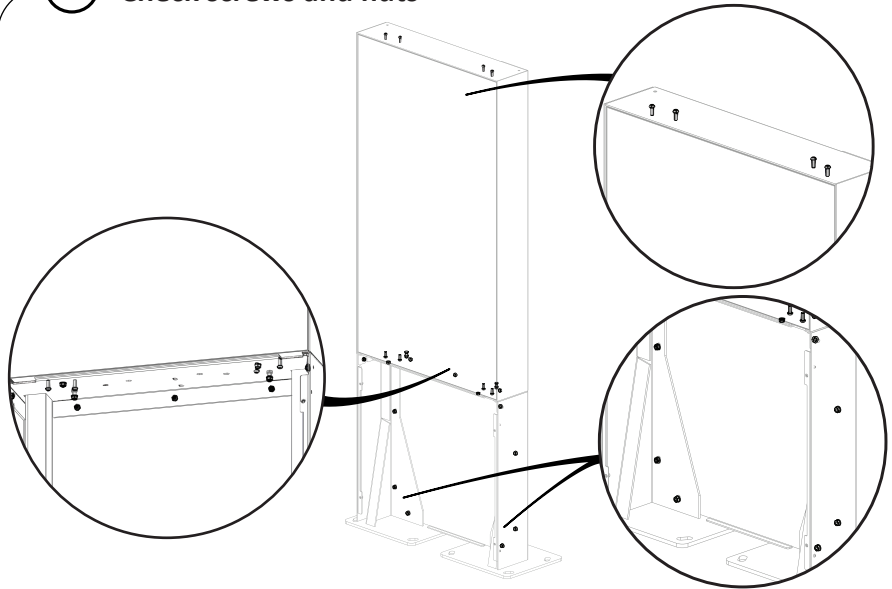
Min. 2 persons needed!

7 Maintenance access

1

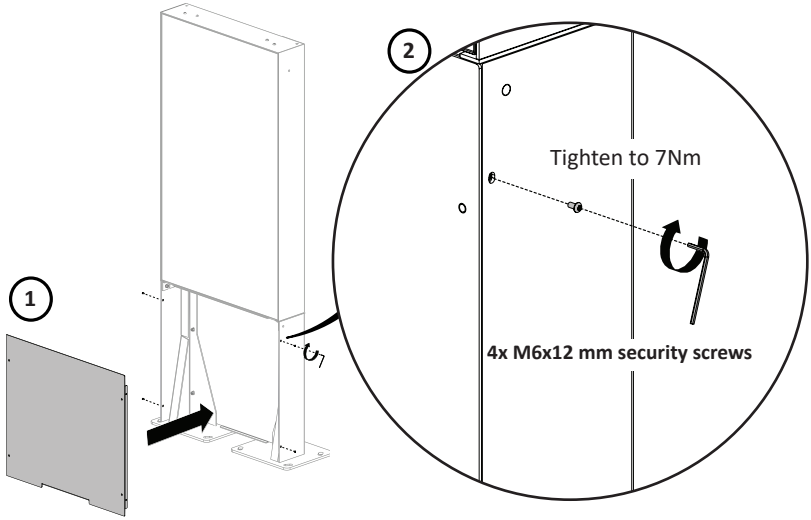


8 Check screws and nuts



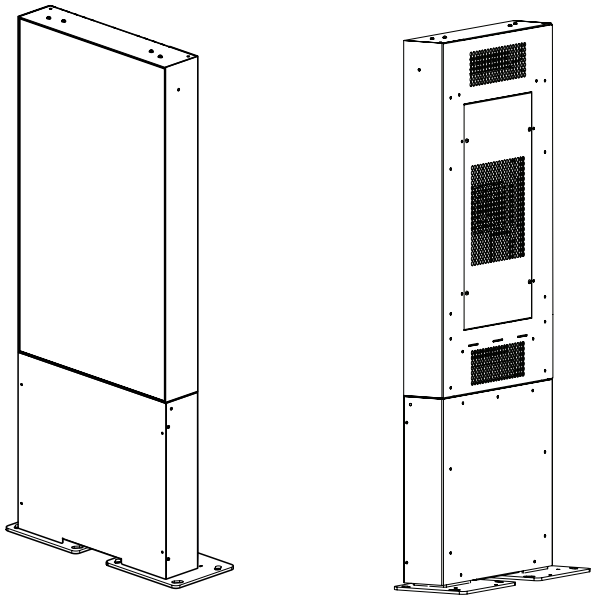
Please double check accessible screws & nuts are torqued according to specifications before continuing to next step.

9 Install bottom lid



Install bottom lid and fix it using the 4x M6x12 mm security screws

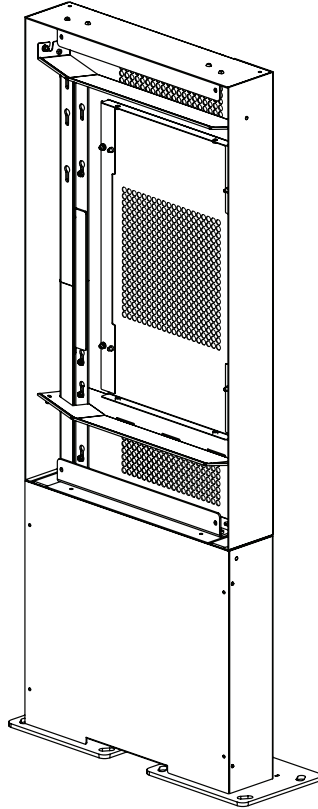
10 Fully assembled



This Page Intentionally Left Blank

This Page Intentionally Left Blank

Need help? Contact us



SPDS3001



ergonomic.solutions/about/contact-us



spacepole.com/about/contact-us

